



# STANDARD MAGNETIC LOCK (1200LB)

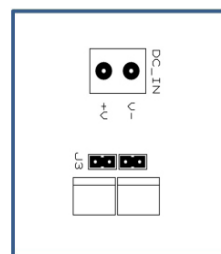
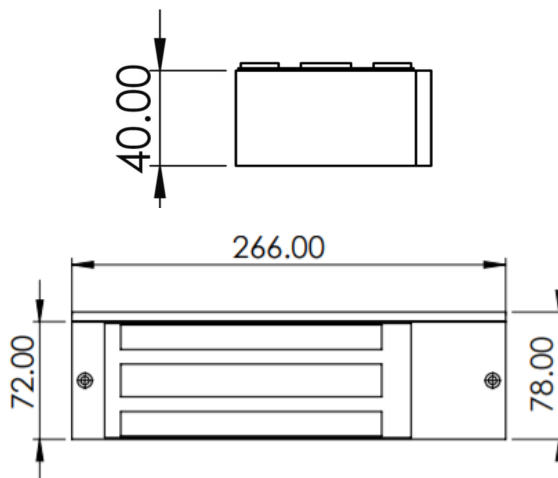
MAGNETIC LOCK

Fire tested range of maglocks and brackets from a market leader in access control.

**FIRE TESTED** to BSEN1634-1-2014 & BS476:Part22:1987 (30, 60, 90 & 120 min timber door-sets)

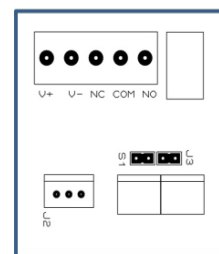


**ML1200 / ML1200-M**



**ML1200**

Voltage Selection



**ML1200-M**

SPECIFICATION	FEATURES	OTHER PRODUCTS
---------------	----------	----------------

- ML1200 / ML1200-M
- Aluminium housing
  - 12/24 VDC @600/300mA
  - 545kg (1200lb) holding force
  - Built in surge protection
  - Surface mount
  - Fail safe operation (power to lock)
  - +/- 15% voltage tolerance
  - -10° to +50° operating temperature
  - Push off release pin on armature

- ML1200-M only
- Monitored
  - Voltage free relay contacts

- ML1200 / ML1200-M
- Fire rated (30, 60, 80 & 120 min timber door set)
  - Standard magnet
  - Clean and compact design
  - No residual magnetism
  - Power LED indication on ML1200 (Red LED only)
  - Status LED indication on ML1200-M (Red to Green)

Suitable Brackets/Housings:

- BK1200ZL (ZL bracket)
- BK1200-F-L/AB (Architectural F/ZL)

- BK1200L (L Bracket)
- ADJ1200-L (Highly adjustable L)
- AH1200 (Required for Fire Doors)

INWARD OUTWARD

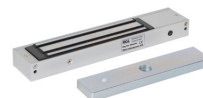
EBCBWC02/DR



EXTR02



ML600



DU-GB/PTE



## DIMENSIONS

- ML1200 / ML1200-M
- 266x72x40 (mm) Maglock (LxWxD)
  - 185x60x15 (mm) Armature (LxWxD)
  - 4.27kg Boxed
  - 2.79kg Unboxed

## CONTENTS

- ML1200 / ML1200-M
- Standard magnet
  - Armature plate
  - 1200GB fixing kit
  - Instructions
  - Armature fixing template



Manufactured by a BSIA Member