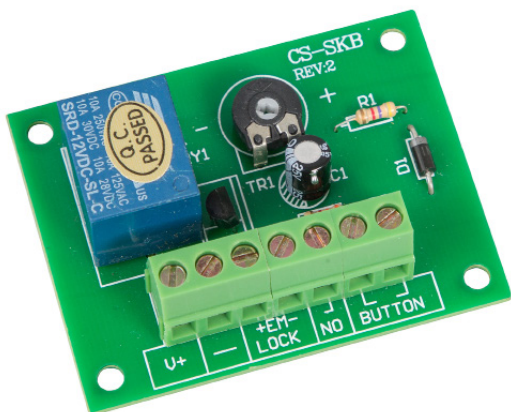


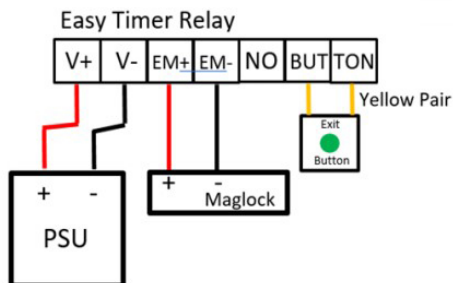


EASY TIMER RELAY

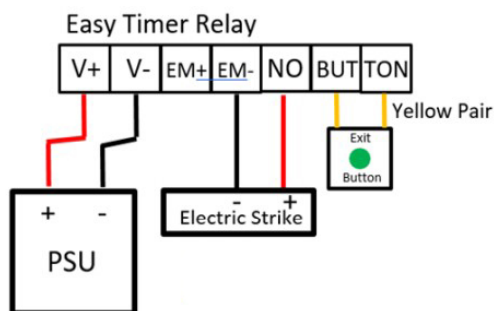


EASY-RELAY

MAGLOCK WIRING INSTRUCTIONS



ELECTRIC STRIKE WIRING INSTRUCTIONS



RGL has a broad range of accessories that complement our access control range.

SPECIFICATION

- EASY-RELAY**
- Timer relay unit
 - 12VDC
 - Contact rating 10A @ 125VAC or 10A @ 30VDC
 - Easy wiring for access control

FEATURES

- EASY-RELAY**
- Timer 0-15 seconds
 - Wiring for Maglock
 - Wiring for Electric Strike (Fail Secure or Fail Safe)

OTHER PRODUCTS

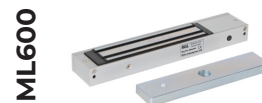


DIMENSIONS

- EASY-RELAY**
- 60x45x20 (mm)

CONTENTS

Easy Timer Relay
3mm Sticky Pad



Manufactured by a BSIA Member