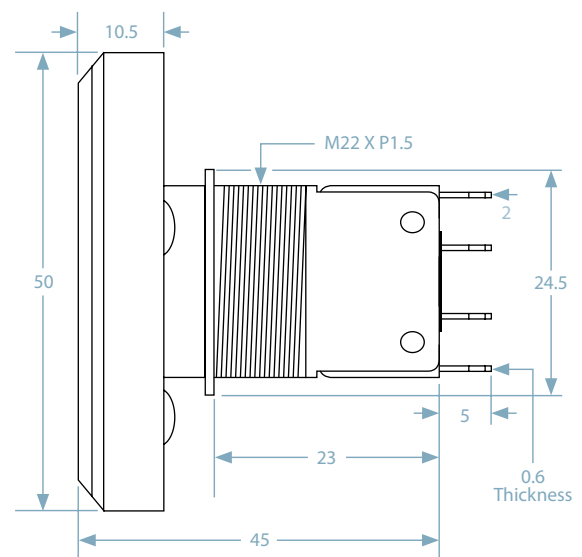
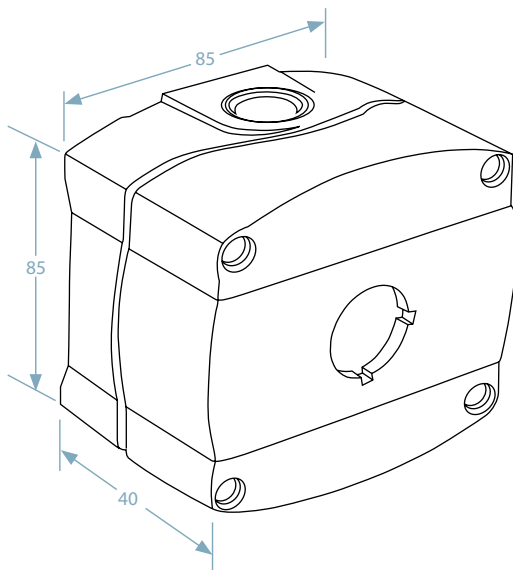


DRB-450-WP

Exit Button

- ABS Plastic
- 50mm raised button
- Surface mount
- COM-N/O
- COM-N/C
- Weather resistant: IP65



You can touch the push button on any part of the face to create the contact action.

